

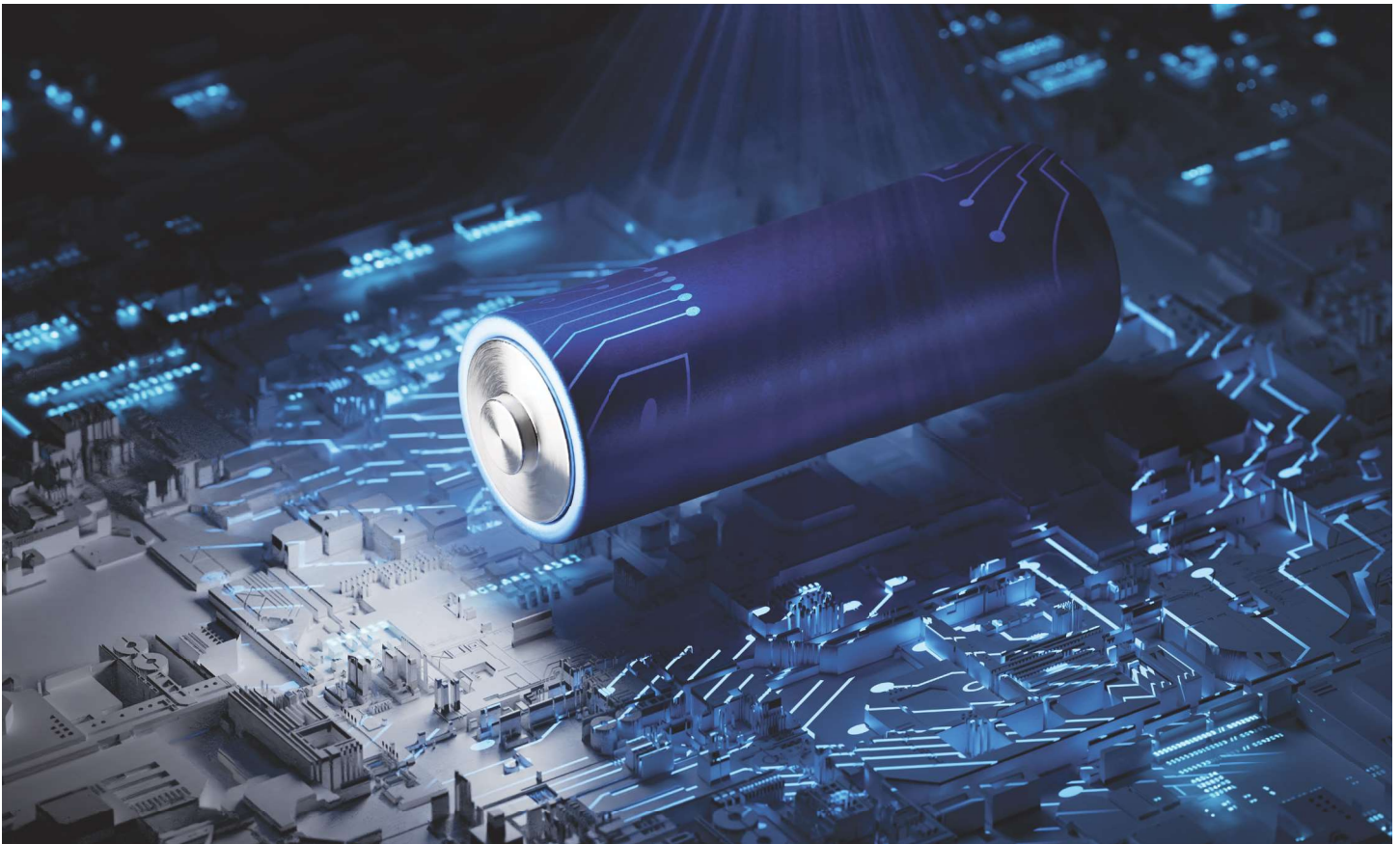


SafeX PRODUCTS

Battery Storage and Transportation Solutions



Revolutionizing Li-ion Battery Recycling



ABOUT KULR TECHNOLOGY

RENEWABLE ENERGY IN A SAFE, RELIABLE, AND SUSTAINABLE MANNER

KULR Technology's battery technology offers safe, reliable, and sustainable solutions for renewable energy applications. Their innovative thermal management and shield design boost safety and reduce environmental risks. KULR's commitment to sustainability includes recycling and transport programs, maximizing battery lifecycle. KULR's battery tech is a reliable and eco-friendly option for a sustainable future in renewable energy.



Battery Storage, Transportation & Recycling Solutions

Transporting and storing lithium batteries present several issues and dangers due to their inherent properties. Lithium batteries are commonly used in various industries, including consumer electronics, electric mobility, aerospace, and energy storage. However, they can be prone to thermal runaway, which can lead to fires, explosions, and the release of hazardous materials.



KULR Technology Group presents a comprehensive solution to the challenges and hazards associated with transporting and storing lithium batteries. By prioritizing compliance and environmental responsibility, this solution contributes to a safer and sustainable future for the battery industry.

KULR's SafeX product line, including SafeCASE and SLEEVE, offers secure storage and transportation for lithium-ion batteries.

- Uses KULR's patented Thermal Runaway Shield™ (TRS) technology to minimize risks of overheating and fires
- Protection against physical damage and internal harm from shock and vibration
- Sustainable and safe solutions for transporting lithium-ion batteries
- Compliance with regulatory requirements





SafeCASE

Model N

A case designed to mitigate thermal runaway by providing safe and sustainable storage and transportation for lithium-ion cells and battery packs.

Resuable, Sustainable	✓	UP TO 2.5 kWh
DOT Approved* (21139, 21167, 21193, 21693, 21704)	✓	
Customizable**	✓	

Typical Applications

Lithium-ion cell/battery storage, transportation, and DDR/hazardous li-ion battery recovery and recycling

Interior Dimensions

17"W x 11"D x 7"H
43.18 cm x 27.94 cm x 17.78 cm

Exterior Dimensions

19"W x 13"W x 8.5"H
48.26 cm x 33.02 cm x 21.59 cm

Contents

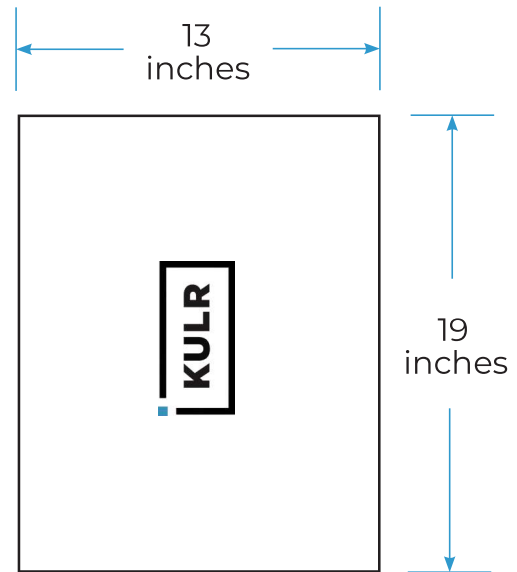
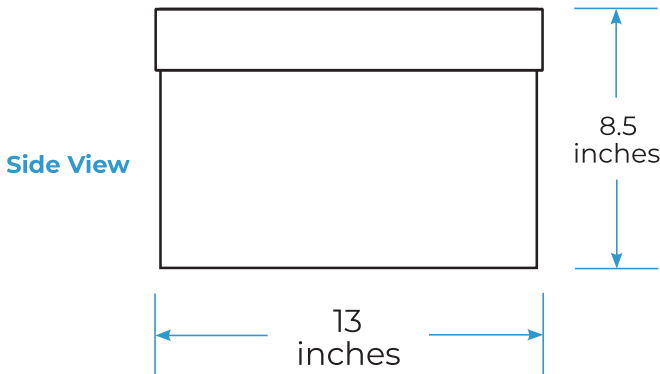
Includes and utilizes KULR's patented Thermal Runaway Shield (TRS) technology

Weight

Empty: 8.69 lbs
Maximum: 66 lbs



Model N Size



Top View

*For additional information, please utilize our resources here:

**Alternate sizes upon request. For more information, please contact your sales representative.





SafeCASE

Model G

A case designed to mitigate thermal runaway by providing safe and sustainable storage and transportation for lithium-ion cells and battery packs.

Resuable, Sustainable	✓	UP TO 2.5 kWh
DOT Approved* (21139, 21167, 21193, 21693, 21704)	✓	
Customizable**	✓	

Typical Applications

Lithium-ion cell/battery storage, transportation, and DDR/hazardous li-ion battery recovery and recycling

Interior Dimensions

19"W x 16"D x 6"H
48.26 cm x 40.64 cm x 15.24 cm

Exterior Dimensions

20"W x 16.5"W x 6.5"H
50.8 cm x 41.91 cm x 16.51 cm

Contents

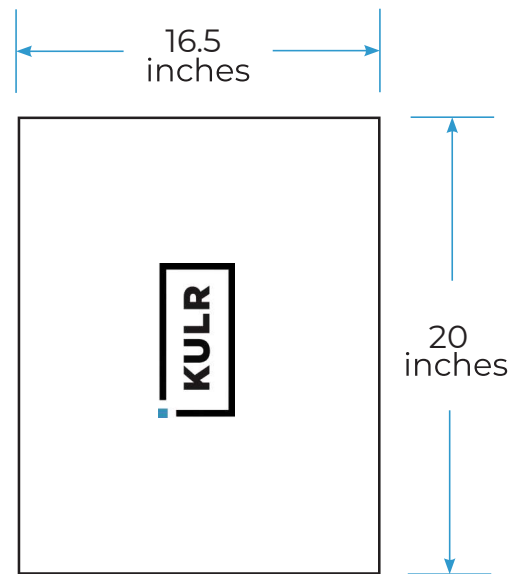
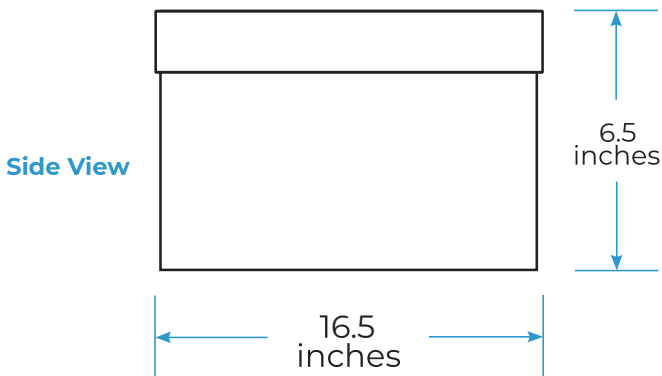
Includes and utilizes KULR's patented Thermal Runaway Shield (TRS) technology

Weight

Empty: 8.69 lbs
Maximum: 66 lbs



Model G Size



Top View

*For additional information, please utilize our resources here:

**Alternate sizes upon request. For more information, please contact your sales representative.





SLEEVE

A sleeve designed to mitigate thermal runaway by providing safe and sustainable storage and transportation for lithium-ion cells and battery packs.

Resuable, Sustainable	✓	UP TO 0.3 kWh
DOT Approved* (21139, 21167, 21193, 21693, 21704)	✓	
Customizable**	✓	



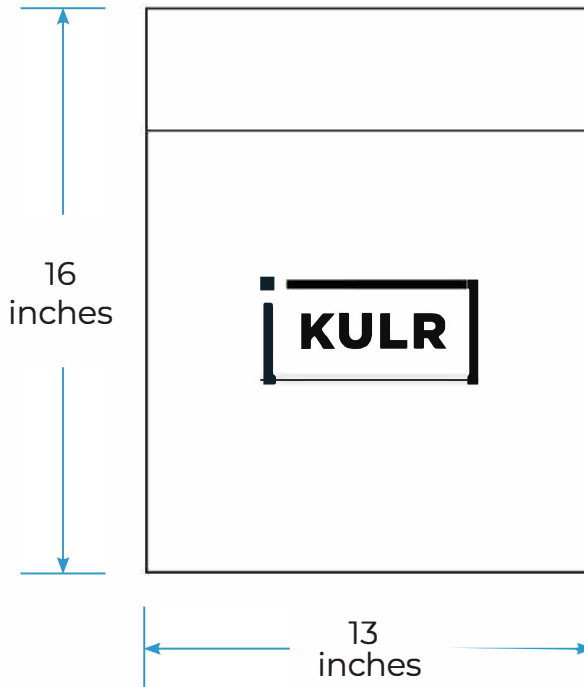
Typical Applications Small portable devices ie. laptops, mobile phones, power banks, portable gaming devices

Exterior Dimensions	13 "W x 16"H 33.02 cm x 40.64 cm
----------------------------	-------------------------------------

Contents Includes and utilizes KULR's patented Thermal Runaway Shield (TRS) technology

Weight	Empty: 3.8 lbs Maximum: 10 lbs
---------------	-----------------------------------

Standard Size

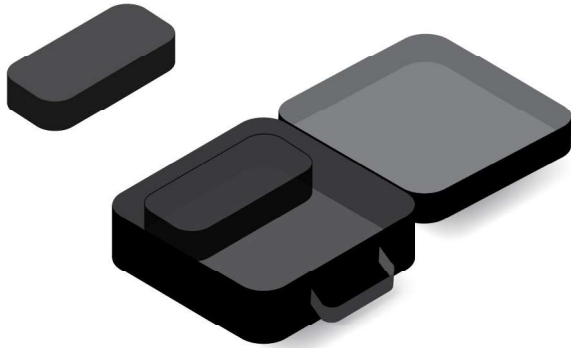


*For additional information, please utilize our resources here:

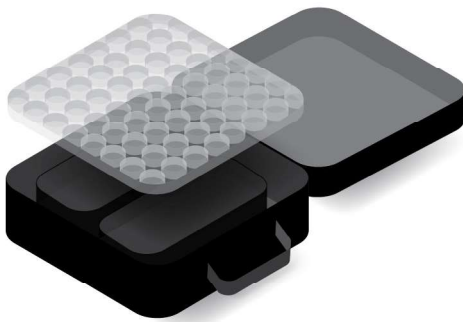
**Alternate sizes upon request. For more information, please contact your sales representative.



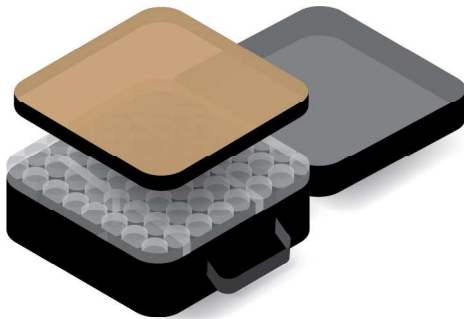
Storage/Transportation and Recycling Process



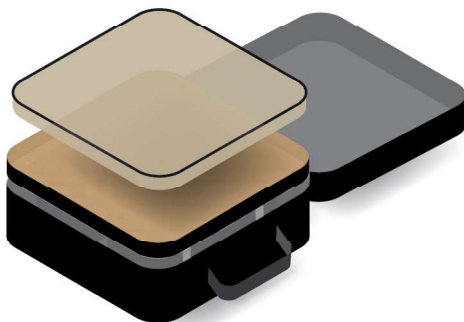
1 Remove all inside components (blanket and top pouch), set aside. Place batteries in SafeCASE.



2 For **SHIPPING**, wrap all batteries with packing material (bubble wrap) to fill top of case prior to placing in the SafeCASE. For **STORING** batteries, packing material is not required. Move to Step 3.



3 Place top pouch on top of battery with TRS (soft side) facing down towards the battery and barrier (hard plate) side up towards case.



4 Take the blanket and place on top of the case.

LEGEND



Battery



SafeCASE



Bubblewrap



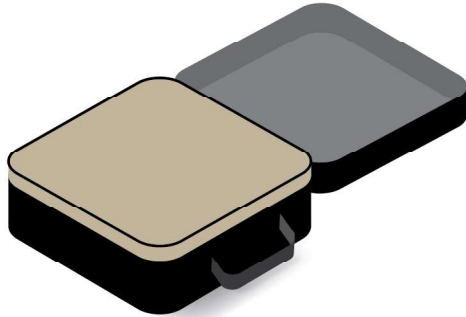
Top Pouch

(Rigid Ablative Shield)



Blanket

Storage/Transportation and Recycling Process



5

Fold corners of blanket and tuck all sides in between the outer case and inner pouches.

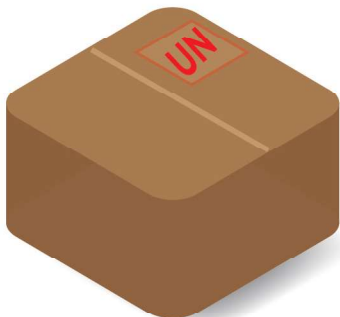


6

Place lid/cover on top of the case and fasten down the sides with velcro to seal the case.

If **SHIPPING**, move to next step.

If **STORING** batteries, please put in cool, dry environment.



7

Place SafeCASE in UN Rated Box for **SHIPPING**, supplied by your recycling provider.



8

Whether damaged, defective, recalled (DDR), or used, our SafeX line provides the safest transportation for your battery's disposal.



KULR TECHNOLOGY

**ACCELERATING THE GLOBAL TRANSITION TO A
SUSTAINABLE ELECTRIFICATION ECONOMY**

KULR Technology Corporation

Tel.: +1 858 866 8478

contact@kulrtechnology.com

www.kulrtechnology.com